

Timber / Steel framed roof construction.

Sisalation to roof to be fixed taut to provide backing to Sealection 500

Sealection 500 applied between roof structure prior to plasterboard ceiling installation & mechanical services ductwork.

Provide blocking members between roof structure to form backing for Sealection 500.

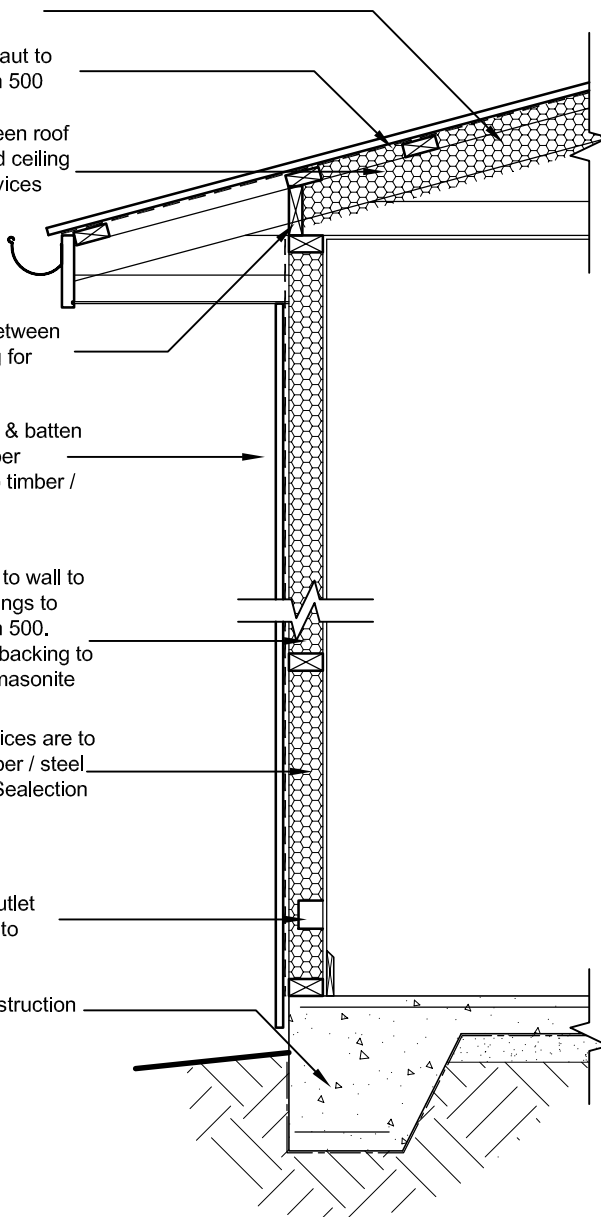
Weatherboard / timber board & batten / cement sheet / metal & timber cladding construction fixed to timber / steel frame.

Vapour permeable sisalation to wall to be fixed taut @ 150mm spacings to provide backing to Sealection 500. Alternative materials to form backing to frame can include plywood, masonite & cement sheet.

All plumbing & electrical services are to be 'roughed in' & fixed to timber / steel frame prior to application of Sealection 500.

Provide enclosed electrical outlet boxes fixed to studwork prior to insulation installation.

Concrete slab & footings construction



Slab on ground & lightweight cladding construction

Scale 1:20